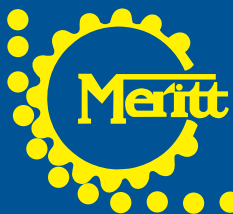
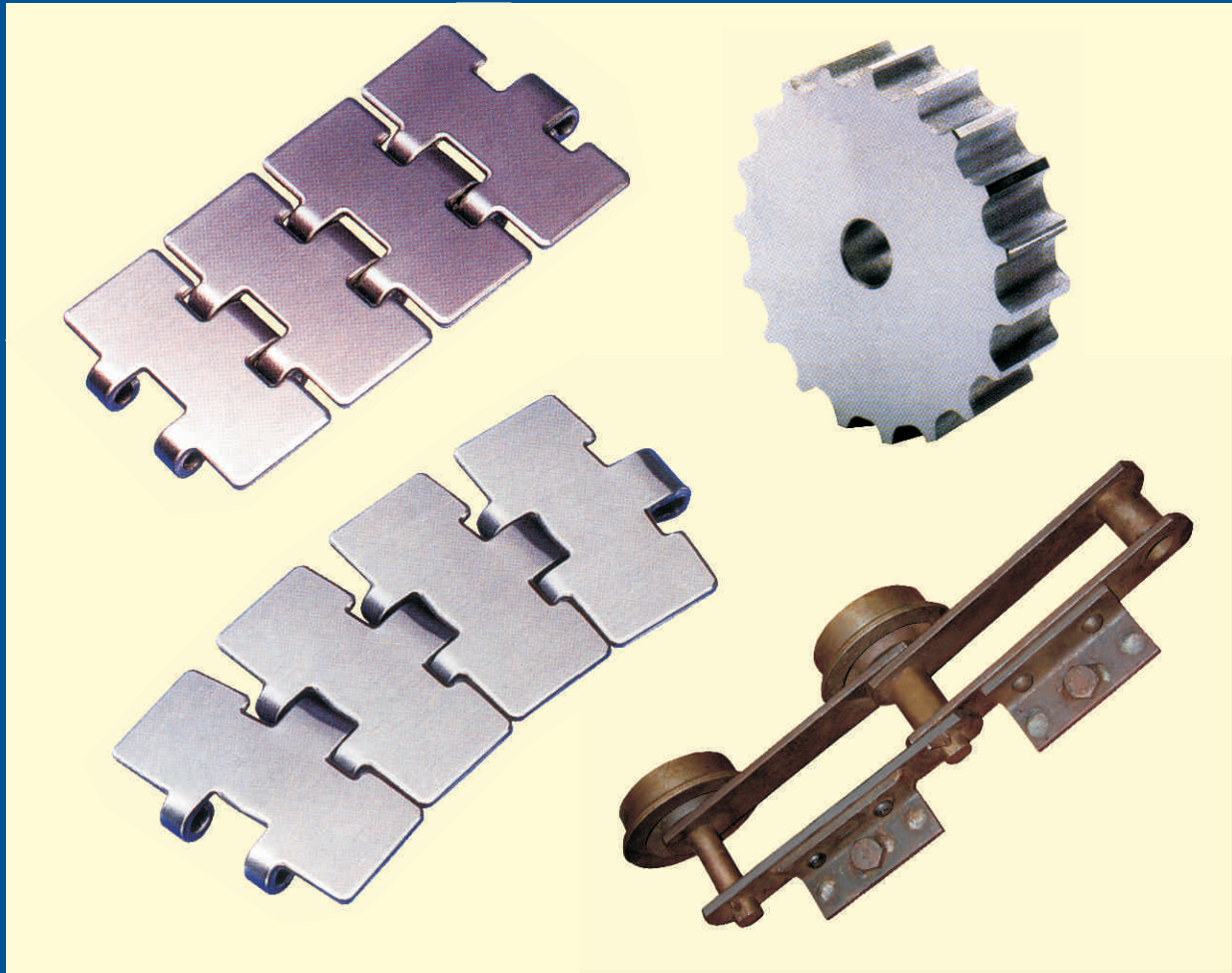


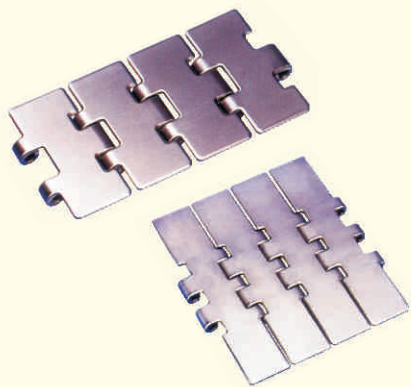
Meritt

SLAT CHAINS
BOTTLE WASHER CHAINS
SPROCKETS



PROVEN PERFORMANCE ...

Slat Chains are ideal for continuous applications such as bottling, canning, and packaging of beer, wine, soft drink, food, drug, chemical, and for conveying machine parts.



Austenitic Stainless Steel (AISI - 304 / 18% Chrome & 8% Nickel) SlatChains.

AISI - 304 stainless steel is non - magnetic in the entire recommended temperature area. The austenitic quality provides excellent resistance to chemical agents and corrosion. It has excellent mechanical and duration characteristics, good wear life and strength.

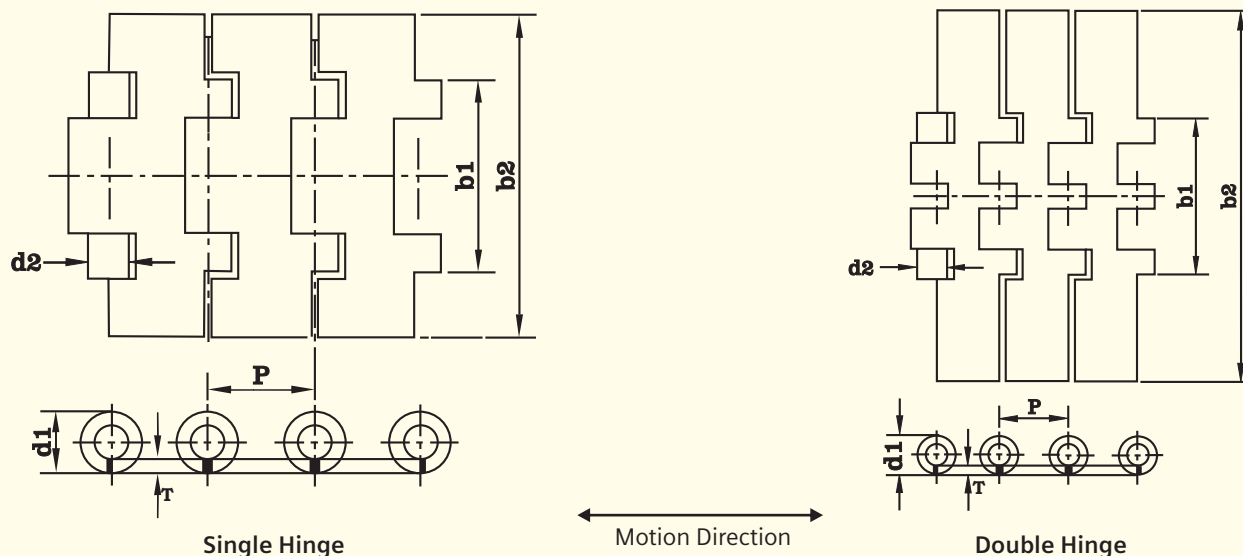
It is particularly used in preservation, bottling product line for beer and soft drinks. It is approved by FDA for direct contact with foodstuffs.

AISI - 304 stainless steel is of very much superior quality than ferritic stainless steel (AISI 430) which has high wearability, less corrosion resistance and magnetic in nature.

Technical Specifications:

1) Temperature	Min Temp. -70°C	Max Temp. 400°C (Dry environment)
	-70°C	120°C (Wet environment)
2) Maximum Allowable Tensile Strength	-	2300N (230kg)
3) Back flex radius	-	150mm (6")
4) Standard Packing	-	10feet / 3.05mtr (80 pitches)

SLAT CHAIN (Straight Running)



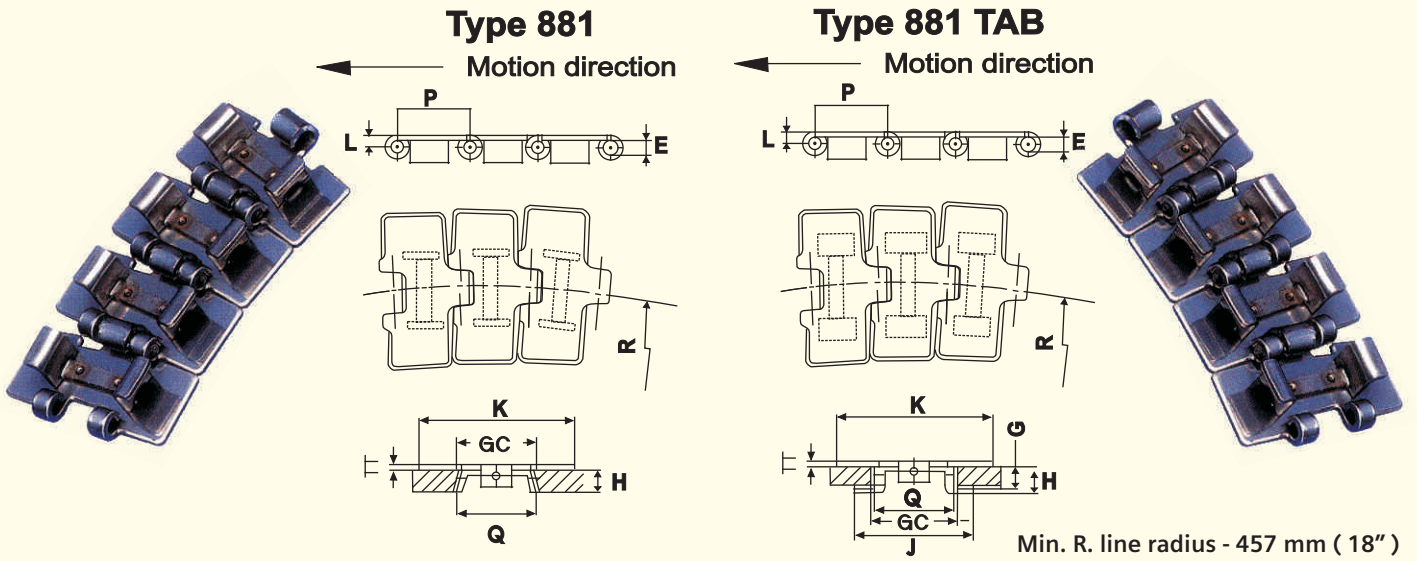
CHAIN NO.	Pitch P mm	Slat width b ₂ mm	Width over fixed curls b ₁ mm	Pin dia d ₂ mm	Slat thickness T mm	Curly Outside Dia d ₁ (max) mm	Weight Per meter g kg/m
STANDARD SERIES							
SSA 815-K300	38.1	190.5	76.2	42	6.35	13.13	2.39
SSA 815-K325			82.6(82)				2.55
SSA 815-K350			88.9				2.70
SSA 815-K400			101.6				2.99
SSA 815-K450			114.3				3.29
SSA 815-K500			127.0				3.59
SSA 815-K600			152.4				4.17
SSA 815-K750			190.5				5.06
SSA 805-K750	38.1	190.5	80.5	6.35	3.1	13.13	5.87

Slat Chains or Flat Top Chains are available in following materials :

- 1) Carbon Steel, 2) Stainless Steel & 3) Acetal.

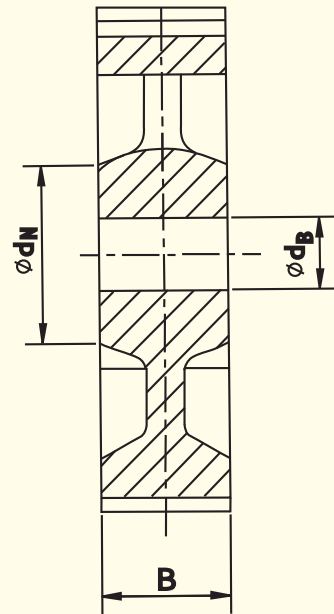
SLAT CHAIN (Side Flexing)

These chains are suitable for curved type conveyors, thereby eliminating the need of rotary trays whilst increasing system performance. These chains are either fitted with dovetail or T shape guides (TAB).



Chain No.	Plate Width	Pitch	Dimens.	Plate Thickness	Dimens.	Straight section dimens.	Curved section Dimens.	TAB width	Dimens.	Dimens.	Bearing pin Diameter	Weight/meter
	K	P	L	TT	Q	GC	GC	J	H	G	E	Kg
SSA 881-K325	82.5	38.1	6.4	3.1	42.9	44.5	41.3	-	12	-	6.35	3.0
SSA 881-K325 TAB	82.5	38.1	6.4	3.1	42.9	46	44.5	55	16	12.8	6.35	3.0

SPROCKET



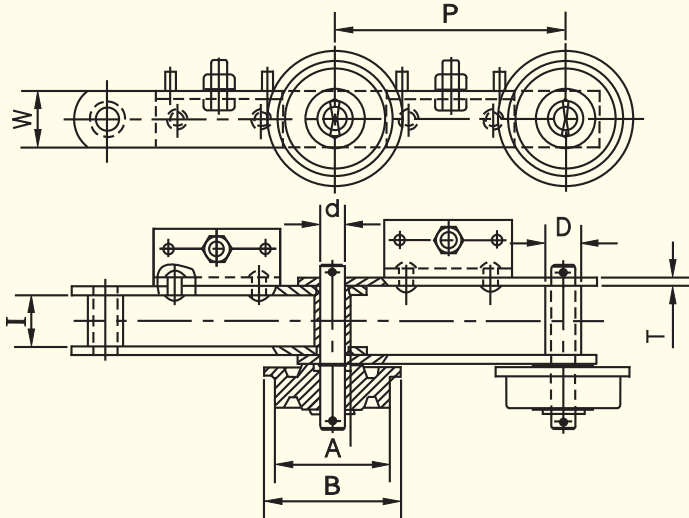
Number of Teeth		Pitch Dia ϕ	Bottom Dia ϕ	Wheel Width	ϕ Bore	ϕ Hub	Material	Weight Kg
Actual	Effective				d_b	d_n		
19	9.5	117.3	104.1	42.5	19	55	Cast iron	1.5
21	10.5	128.2	116	42.5	10	55	Cast iron	1.8
23	11.5	141.2	128	42.5	19	70	Cast iron	2.0
25	12.5	153.2	140	42.5	19	75	Cast iron	2.1
27	13.5	165.2	152	42.5	19	85	Cast iron	2.2
29	14.5	177.2	164	42.5	19	85	Cast iron	2.4
31	15.5	189.3	176.1	42.5	19	85	Cast iron	2.5

Note: Sprocket are available in Nylon and Stainless Steel Material also.

CONVEYOR CHAINS

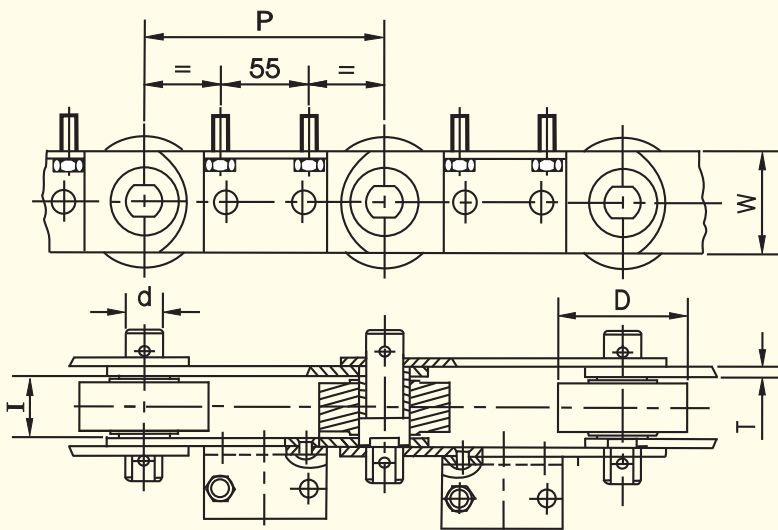
WASHING MACHINE CHAIN

1) 160 mm PITCH SINGLE END CHAIN



Pitch P	Flange Dia B	Bottom Dia A	Link width W	Link Thk. T	Inner Width I	Bush Dia D	Pin Dia d
160	95	68	40	6	36	26	17.8

2) 150 mm PITCH DOUBLE END CHAIN

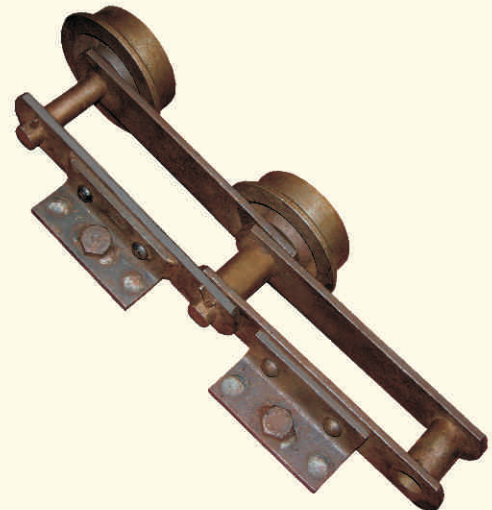


Pitch P	Roller Dia D	Link Width W	Thickness T	Pin Dia d	Inner width I
150	80	50	8	17.8	37

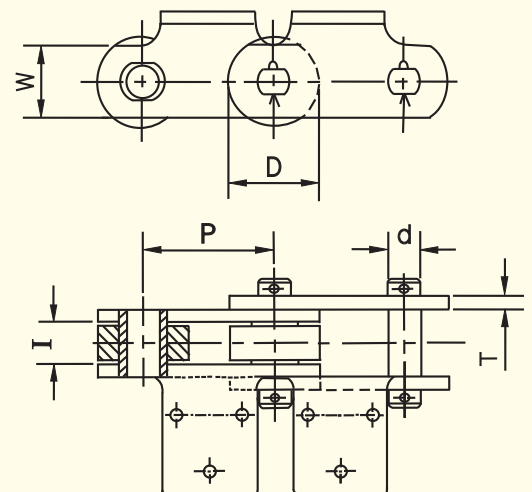
ALL DIMENSIONS ARE IN mm

Other Products

- Honey Comb Belt
- SS Wiremesh Belt
- Crate Conveyor Chain
- Roller Chains & Sprockets
- Hollow / Solid Pin Conveyor Chain
- Conveyor Belt
- Gears
- Couplings



PASTEURIZER CHAIN



Pitch P	Roller Dia D	Link Width W	Thickness T	Pin Dia d	Inner width I
70	50	40	8	17.6	36

GALVANISED CHAIN

Meritt
T.R.A.N.S.M.I.S.S.I.O.N.S

157/159, Narayan Dhuru Street,
Behind Nagdevi Street, Mumbai - 400 003, INDIA.
Telephone - 2344 4956 / 2344 2857 / 2342 8342
Fax - 91-22-2341 4107 / 2341 0238
E-mail: meritttransmissions@vsnl.net
Web Site - meritttransmissions.com