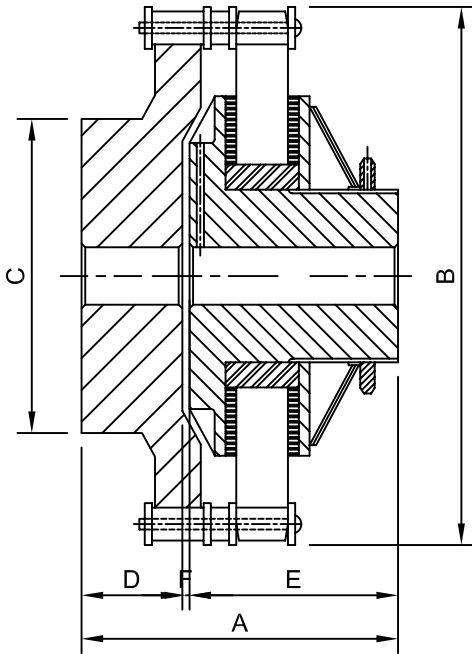


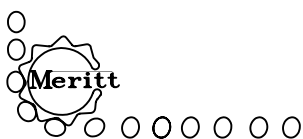
TORQUE-LIMITER COUPLINGS



Torque Limiter Coupling is used for overload slip protection combined with the ability to couple driving and driven shafts. This device consists of a stock torque limiter and a roller chain coupling.

The assembly consists of a standard torque limiter, roller chain coupling and a plate sprocket. The plate sprocket serves as the centre member of the torque limiter and it is coupled to a sprocket by an BS standard duplex roller chain with connecting link. This construction provides a dependable and easy to assemble flexible coupling having shaft misalignment compensation.

COUPLING NO.	MISALIGNMENT		TORQUE CAP. KgM		MAX. BORE		STOCK MIN. PLAIN BORE		DIMENSIONS (MM)						APPOX. WT. (Kg.)
	MAX. Parallel.	MAX. Ang.	MIN.	MAX.	TORQUE LIMITER (MM)	CPLG. SPKT. (MM)	TORQUE LIMITER	CPLG. SPKT.	A	B	C	D	E	F	
MT-50-M1C MT-50-M2C	0.2	1/2°	0.3 0.6	1.5 2.5	16	28	8	10	55	77	50	24	29	2	1.0
MT-65-M1C MT-65-M2C	0.25	1/2°	0.7 1.4	2.8 5.6	22	48	10	10	80	102	76	25	50	3	2.0
MT-90-M1C MT-90-M2C	0.30	1/2°	2.0 3.5	7.0 14.0	28	56	12	19	103	137	106	40	65	3	5.20
MT-125-M1C MT-125-M2C	0.38	1/2°	5.0 6.5	18.0 36.0	38	70	19	22	121	188	150	45	78	3	12.3
MT-150-M1C MT-150-M2C	0.38	1/2°	7.5 9.0	44.0 61.0	42	90	25	25	144	206	180	50	90	3	14.0
MT-180-M1C MT-180-M2C	0.50	1/2°	11.0 22.0	58.0 110.0	64	100	25	25	176	248	200	64	106	3	31.4
MT-225-M1C MT-225-M2C	0.70	1/2°	20.0 40.0	140.0 175.0	92	160	30	40	205	308	244	92	120	3	39.9



Meritt
T.R.A.N.S.M.I.S.S.I.O.N.S.

Manufacturer of Mechanical Power Transmission Equipments and Conveyor Chains
157/159, Narayan Dhuru Street,
Behind Nagdevi Street, Mumbai - 400 003, INDIA
Telephone - 2344 4956 / 2344 2857 / 2342 8342
Fax - 91-22-2341 4107 / 2341 0238
E-mail : meritttransmissions@vsnl.net
Web Site - www.meritttransmissions.com