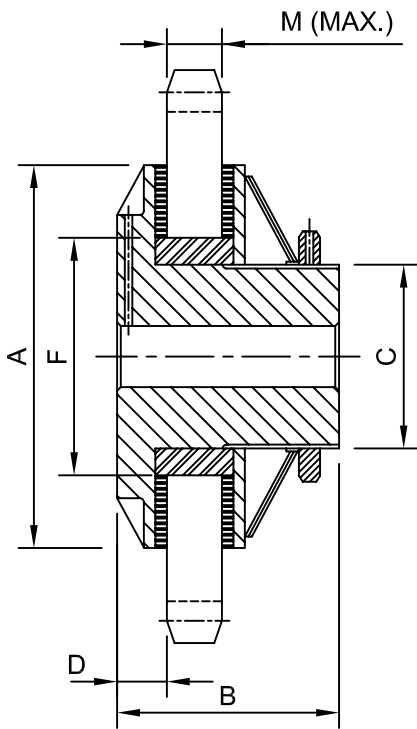


TORQUE-LIMITER



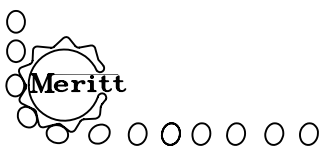
Torque Limiter is a protective device that limits torque transmitted in a drive system by slipping when torque demand exceeds a preset value as a result of shock loads, over loads or machine jams. It automatically re-engages when the overload torque has passed, no resetting is required.

The torque limiter prevents machine damage and eliminates costly down time.

It utilizes spring friction surfaces for its operation; slip torque is preset by adjustment of the spring force.

Torque limiter can be used with a sprocket, gear, sheave or flange plate as a centre member that is clamped between two friction facings.

TORQUE LIMITER NO.	TORQUE CAPACITY KG.M		MIN BORE	MAX. BORE	APPROX. WT.- KG.	A	B	C	D	M (MAX.)	'F' SPROCKET BORE DIA. OVER BUSHING
	MIN.	MAX.									
MT - 50 - M1	0.3	1.5	8.0	16	0.3	50	29	24	6.5	7.2	30.10
MT - 50 - M2	0.6	2.5	8.0	16	0.3	50	29	24	6.5	7.2	30.10
MT - 65 - M1	0.7	2.8	9.6	22	0.5	65	50	35	15	8.8	41.40
MT - 65 - M2	1.4	5.5	9.6	22	0.5	65	50	35	15	8.8	41.40
MT - 90 - M1	2.0	7.0	12.7	28	1.5	90	65	45	18	16.0	52.00
MT - 90 - M2	3.5	14.0	12.7	28	1.5	90	65	45	18	16.0	52.00
MT - 125 - M1	5.0	18.0	19.0	38	3.5	125	78	60	23	16.0	70.00
MT - 125 - M2	6.5	36.0	19.0	38	3.5	125	78	60	23	16.0	70.00
MT - 150 - M1	7.5	44.0	25.0	42	5.5	150	90	70	26	23.0	80.00
MT - 150 - M2	9.0	61.0	25.0	42	5.5	150	90	70	26	23.0	80.00
MT - 180 - M1	11.0	58.0	25.0	64	10.0	180	106	100	28	28.5	110.00
MT - 180 - M2	20.0	110.0	25.0	64	10.0	180	106	100	28	28.5	110.00
MT - 225 - M1	22.0	140.0	30.0	92	20.0	230	120	140	33	28.5	152.00
MT - 225 - M2	40.0	175.0	30.0	92	20.0	230	120	140	33	28.5	152.00



Meritt
T.R.A.N.S.M.I.S.S.I.O.N.S.

Manufacturer of Mechanical Power Transmission Equipments and Conveyor Chains

157/159, Narayan Dhuru Street,

Behind Nagdevi Street, Mumbai - 400 003, INDIA

Telephone - 2344 4956 / 2344 2857 / 2342 8342

Fax - 91-22-2341 4107 / 2341 0238

E-mail : meritttransmissions@vsnl.net

Web Site - www.meritttransmissions.com