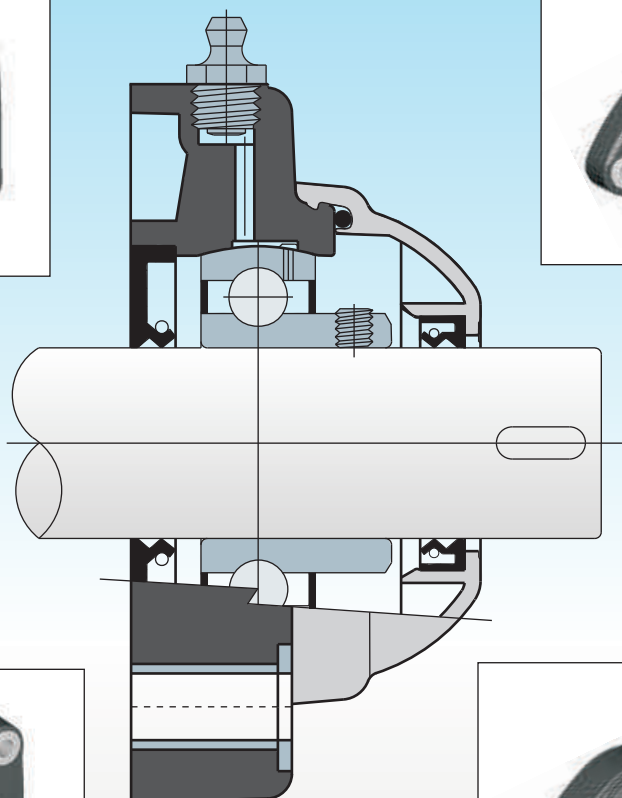


2009

Self-aligning bearing supports



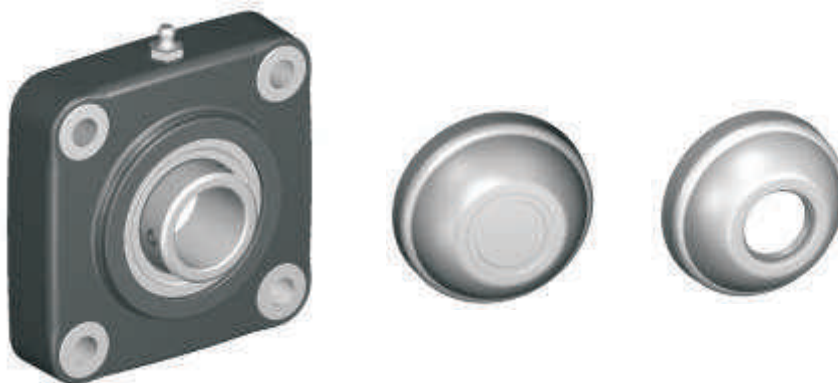
- Bearing Supports made out of engineering resin
- grease nipple for longer life
- water proof housing, protection from dust, external environment
- high resistance to oxidation and corrosion with equal the strength offered by cast iron housing
- better mechanical and heat resistance
- ideal for food and pharmaceutical industry.



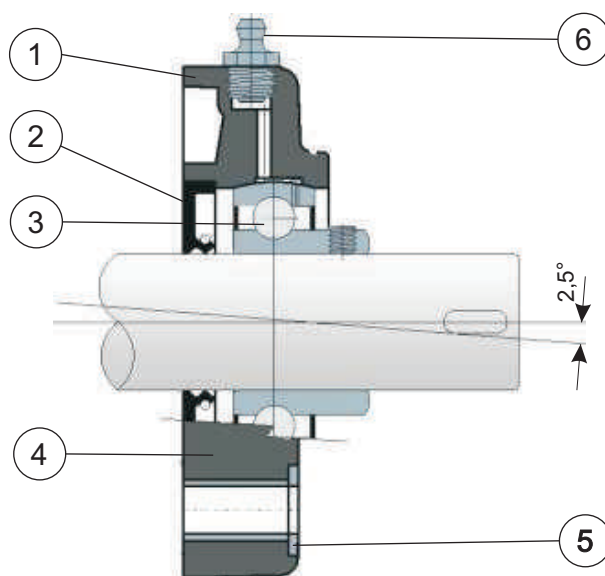
teCom - Italy
Technology Components

Square flanged bearing supports

UCF/CX Series



Without protection cover



- 1) Support body made out of polyamide reinforced with glass fibers.
- 2) Back gasket made out of NBR rubber for turning shaft seal.
- 3) Chrome steel or stainless steel bearing AISI 440C
- 4) Spacer for fixing reinforcement made out of stainless steel AISI 304.
- 5) UNI 6592 support washer made out of stainless steel AISI 304.
- 6) Greaser for relubrication made out of nickel-plated brass.

Support dimensions respect **ISO 3228** set of rules.

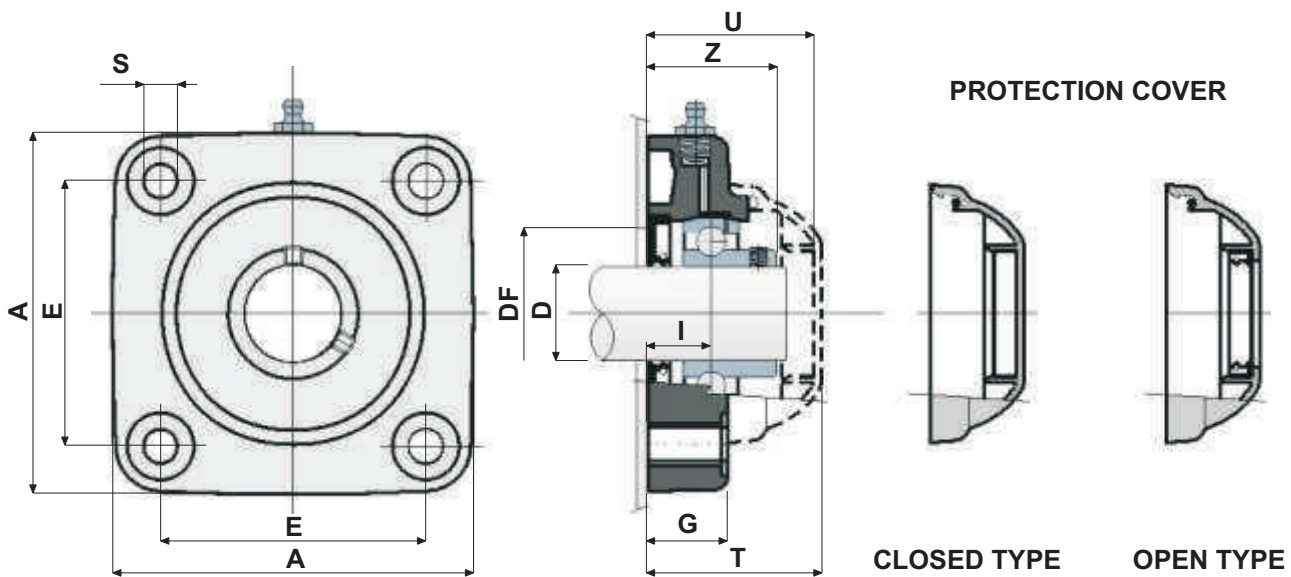
Maximum shaft alignment error 2,5°

For further information please contact our technical office or sales department.



Technical data

UCF/CX Series



CHROME STEEL BEARING

D	SERIES	CODES Support	DIMENSIONS (mm)										Bearing load (N)		Bearing support load (N)		CODES Cover	
			E	A	S	G	I	Z	U	T	DF		C	C ₀	C	C ₀	CLOSED TYPE	OPEN TYPE
											Max	Min						
20	UCF 204 CX	80252	63.5	90	10.5	19	15.5	33.5	44	46.5	45	40	12800	6600	16500	80254	80255	
25	UCF 205 CX	80175	70	99	10.5	22	17	36	47	49	50	45	14000	7800	17000	80075	80076	
30	UCF 206 CX	80176	83	113	10.5	26	20	41	54	56	60	50	19500	11300	17500	80011	80053	
35	UCF 207 CX	80177	92	122	10.5	26	20	45	57	59	70	55	25500	15300	18000	80077	80078	
40	UCF 208 CX	80253	102	133	10.5	26	19.5	48.5	65	68	78	65	32500	19800	18000	80256	80257	
40	MUCF 208 CX	80701	83	113	10.5	26	19.5	48.5	65	68	78	65	32500	19800	18000	80256	80257	

NEW

STAINLESS STEEL BEARING AISI 440C

D	SERIES	CODES Support	DIMENSIONS (mm)										Bearing load (N)		Bearing support load (N)		CODES Cover	
			E	A	S	G	I	Z	U	T	DF		C	C ₀	C	C ₀	CLOSED TYPE	OPEN TYPE
											Max	Min						
20	UCF 204 CX	81047	63.5	90	10.5	19	15.5	33.5	44	46.5	45	40	8300	6550	16500	80254	80255	
25	UCF 205 CX	81049	70	99	10.5	22	17	36	47	49	50	45	9150	7800	17000	80075	80076	
30	UCF 206 CX	81050	83	113	10.5	26	20	41	54	56	60	50	12500	11200	17500	80011	80053	
35	UCF 207 CX	81051	92	122	10.5	26	20	45	57	59	70	55	16600	15300	18000	80077	80078	
40	UCF 208 CX	80561	102	133	10.5	26	19.5	48.5	65	68	78	65	20000	19000	18000	80256	80257	
40	MUCF 208 CX	81043	83	113	10.5	26	19.5	48.5	65	68	78	65	20000	19000	18000	80256	80257	

MATERIALS : Support made out of PA+glass fiber; chrome steel or stainless steel bearing; greaser made out of nickel plated brass; reinforcement bushings and washers made out of stainless steel AISI 304; gaskets made out of NBR rubber; cover made out of polypropylene, grey colour RAL 7042.

FEATURES: Full protection of bearing against external agents.
 Assembly with not shouldered shafts.
 Maximum shaft alignment error 2.5°.

PACKAGING: 8 pieces.

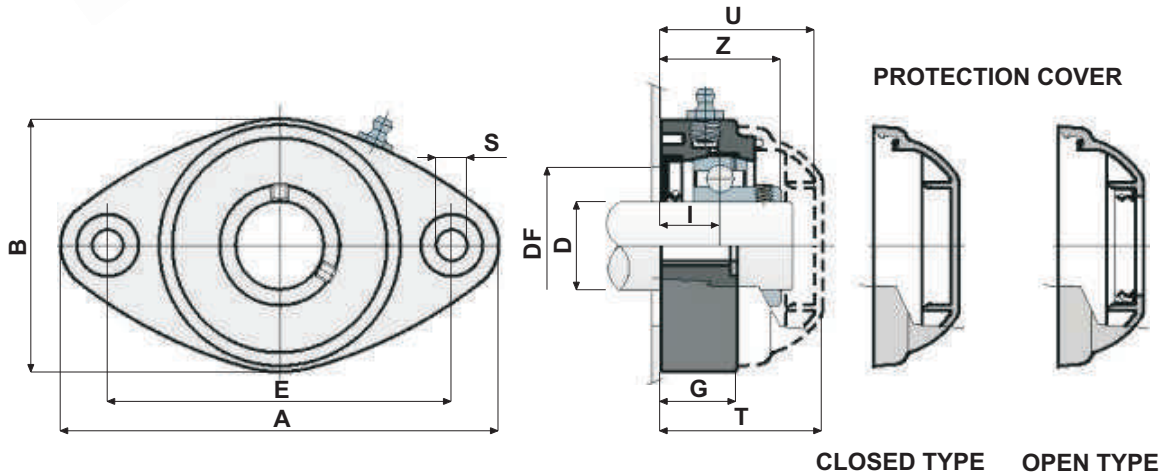
ON REQUEST : Antibacterial executions and versions with polypropylene + glass fiber support; protection cover in different colours.



Oval flanged bearing supports



UCFL/CX Series



CHROME STEEL BEARING

D	SERIES	CODES Support	DIMENSIONS (mm)											Bearing load (N)		Bearing support load (N)	CODES Cover	
			E	A	B	S	G	I	Z	U	T	DF _{Max}	DF _{Min}	C	C ₀		CLOSED TYPE	OPEN TYPE
20	UCFL 204 CX	80264	90	118	64	10.5	19	15.5	33.5	44	46.5	45	40	12800	6600	8500	80254	80255
25	UCFL 205 CX	80181	99	131	72	10.5	22	17	36	47	49	50	45	14000	7800	10000	80075	80076
30	UCFL 206 CX	80182	117	149	86	10.5	26	20	41	54	56	60	50	19500	11300	13000	80011	80053
35	UCFL 207 CX	80183	130	163	94	10.5	26	20	45	57	59	70	55	25500	15300	14000	80077	80078

NEW

STAINLESS STEEL BEARING AISI 440C

D	SERIES	CODES Support	DIMENSIONS (mm)											Bearing load (N)		Bearing support load (N)	CODES Cover	
			E	A	B	S	G	I	Z	U	T	DF _{Max}	DF _{Min}	C	C ₀		CLOSED TYPE	OPEN TYPE
20	UCFL 204 CX	81053	90	118	64	10.5	19	15.5	33.5	44	46.5	45	40	8300	6550	8500	80254	80255
25	UCFL 205 CX	81054	99	131	72	10.5	22	17	36	47	49	50	45	9150	7800	10000	80075	80076
30	UCFL 206 CX	81055	117	149	86	10.5	26	20	41	54	56	60	50	12500	11200	13000	80011	80053
35	UCFL 207 CX	81056	130	163	94	10.5	26	20	45	57	59	70	55	16600	15300	14000	80077	80078

MATERIALS : Support made out of PA+glass fiber; chrome steel or stainless steel bearing; greaser made out of nickel plated brass; reinforcement bushings and washers made out of stainless steel AISI 304; gaskets made out of NBR rubber; cover made out of polypropylene, grey colour RAL 7042.

FEATURES: The difference from UCFL/C series is lack of protection cover which can be ordered separately as an accessory. Assembly with not shouldered shafts. Maximum shaft alignment error 2.5°.

PACKAGING: 8 pieces.

Sole Distributor :

Meritt
T.R.A.N.S.M.I.S.S.I.O.N.S

157/159, Narayan Dhuru Street, Behind Nagdevi Street, Mumbai - 400 003, INDIA.

Telephone - 022 - 2344 4956 / 2344 2857 / 2342 8342 • Fax - 91-22-2341 4107 / 2341 0238

E-mail: meritt2@vsnl.net • meritttransmissions@vsnl.net • Web Site - www.meritttransmissions.com

You can download our GENERAL CATALOGUE 2009 from our website:

www.tecomsrl.it

Patented Products

